

Tachometers and Tach/Hourmeters

AT and ATH Series

The AT Series tachometers are rugged, transistorized instruments with solid-state circuitry for indication of engine RPM. They are equipped with a bracket for mounting into a standard 3-3/8 in. (86 mm) dash mounting hole. A full 270° sweep of the pointer gives an accurate indication on a large easy-to-read scale, and the dial can be illuminated for night reading. The ATH Series models are also equipped with hourmeter to record the elapsed running time of an engine.

Models are available for alternator, magnetic sensor or ignition signal. These instruments are designed to function from pulses generated by an alternator with 4, 8, 12, 14 or 16 poles on the rotor (3 - 40 PPR). The pulses can also be obtained from the ring gear of an engine by means of an electromagnetic sensor (magnetic pickup). Murphy's magnetic sensor driven models are designed to function with flywheels having anywhere from 50 to 304 teeth. Ignition signal model available for 2 - 10 cylinder, 4 cycle spark-ignited engines. All models are for negative ground, positive ground or isolated electrical systems and are protected against reverse polarity hookup.

All models are powered by a 11-28 VDC battery and are reverse polarity protected.

These tachometers are specially designed for use on truck, marine, industrial or stationary engines.

Series Models

ATS Series Magnetic Sensor Signal Tach

50-304 flywheel teeth 11-28 VDC, 3333 Hz to 20.27 kHz @ 4000 RPM

ATHS Series Magnetic Sensor Signal Tachometer/Hourmeter

50-304 flywheel teeth 11-28 VDC, 3333 Hz to 20.27 kHz @ 4000 RPM

ATA Series Alternator Signal Tachometer

3-40 pulses/engine revolution 12 VDC, 200 Hz to 2667 Hz @ 4000 RPM

ATHA Series Alternator Signal Tachometer/Hourmeter

3-40 pulses/engine revolution 12 VDC, 200 Hz to 2667 Hz @ 4000 RPM

ATHI Series Ignition Signal Tachometer/Hourmeter

2 - 10 cylinder, 4 cycle engines, 66.7 Hz to 333.3 Hz @ 4000 RPM



* Products covered by this bulletin comply with European Council electromagnetic compatibility directive 2004/108/EC, except as noted.

Specifications

Magnetic Sensor Driven Models

Power Input: 11-28VDC (70mA - 120mA except lamp load)

Backlight: 3.4W T-10 wedge base bulb

RPM Input Signal Voltage: 1.5Vrms minimum

Accuracy:

Tachometer: +2% full scale

Hourmeter: +0.01% hours, +1 count

Temperature Range: -40 to 180°F (-40 to 82°C) (no permanent damage shall occur)

Dial (Face Plate): 270° sweep with white numerals (over black background)

Bezel: 304 stainless steel for bright and IS 513 E.E.E. CRCA steel for black

Scale: 0-4000RPM

Case Material: Plastic

Hourmeter Range: 99999.9 hours in 0.1 increments.

Alternator Driven and Ignition Driven Models

Power Input: 11-28VDC (70mA-120mA except lamp load)

Backlight: 3.4W T-10 wedge base bulb

RPM Input Signal Voltage: V low: 0.5V max, V high: 8.0V min.

Accuracy:

Tachometer: +2% full scale

Hourmeter: +0.01% hours, +1 count

Temperature Range: -40 to 180°F (-40 to 82°C) (no permanent damage shall occur)

Dial (Face Plate): 270° sweep with white numerals (over black background)

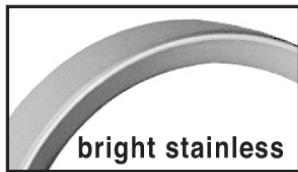
Bezel: 304 stainless steel for bright and IS 513 E.E.E. CRCA steel for black

Scale: 0-4000RPM

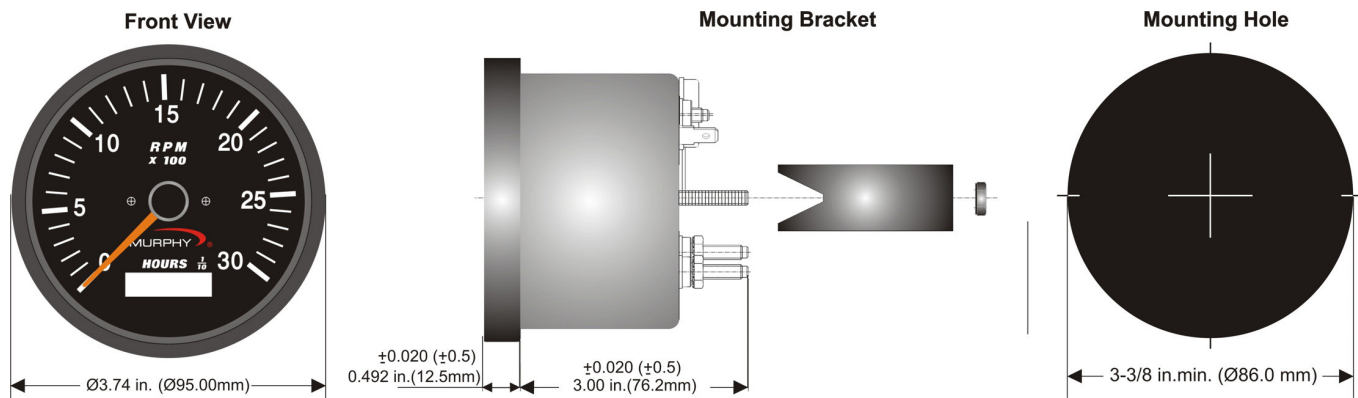
Case Material: Plastic

Hourmeter Range: 99999.9 hours in 0.1 increments.

Bezel Styles



Dimensions



How to Order

Order the Tachometer or Tachometer/Hourmeter by model number.

Model Number	Description	Notes
Magnetic Sensor Tachometer 4000 RPM; 50 - 304 flywheel teeth 11-28 VDC		
ATS-40	Bright Stainless Steel Bezel	
ATS-40-A	Black Stainless Steel Bezel	
ATS-40-B	SAE Bright Stainless Steel Bezel	
ATS-40-C	SAE Black Stainless Steel Bezel	
Magnetic Sensor Tach/Hourmeter 4000 RPM; 50-304 flywheel teeth 11-28 VDC		
ATHS-40	Bright Stainless Steel Bezel	
ATHS-40-A	Black Stainless Steel Bezel	
ATHS-40-B	SAE Bright Stainless Steel Bezel	
ATHS-40-C	SAE Black Stainless Steel Bezel	
Alternator Signal Tachometer 4000 RPM; 3 - 40 pulses/rev 11-28 VDC		
ATA-40	Bright Stainless Steel Bezel	
ATA-40-A	Black Stainless Steel Bezel	
ATA-40-B	SAE Bright Stainless Steel Bezel	
Alternator Signal Tach/Hourmeter 4000 RPM; 3 - 40 pulses/rev 11-28 VDC		
ATHA-40	Bright Stainless Steel Bezel	
ATHA-40-A	Black Stainless Steel Bezel	
ATHA-40-B	SAE Bright Stainless Steel Bezel	
ATHA-40-C	SAE Black Stainless Steel Bezel	
Ignition Signal Tach/Hourmeter 4000 RPM; 1-5 pulses/engine rev		
ATHI-40-A	Black Stainless Steel Bezel	