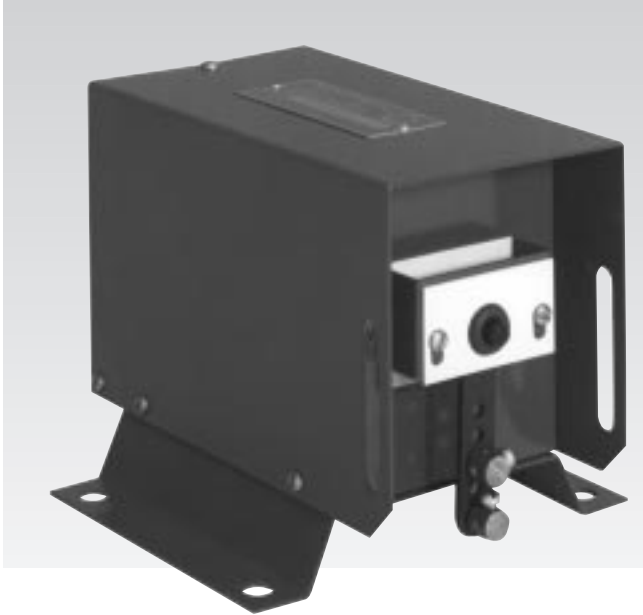


# MURPHYMATIC® Engine Throttle Controller



## Model AT67207

- Automatically adjusts engine speed to meet demands of pressure, level, load and temperature.
- Speed changes made slowly and smoothly.
- Saves fuel, engine wear, horsepower and labor.
- Perfect for warm-up and cool-down on automated systems.

### Description

The AT67207 is a completely reliable heavy duty device developed specifically to automatically control engine speed to meet system demand. Low current, high torque, solid state switching and electronic clutch make it ideal for all automatic and semiautomatic engine systems. Used with the appropriate Murphy SWICHGAGE®, near constant pressure, level and load can be maintained. Check with our engineers for help with other applications where speed control can improve your system.

### Applications

#### Pressure

- City Water Systems.
- Water Flood Injection.
- Sprinkler Lateral Changes.
- Make-up if a “Gang Pump” stops.
- Multiple Hose-reel Irrigation Systems.

#### Level

- Water or oil storage tanks.
- Waterflood tanks.
- Sewer disposal systems.
- Flood control catch basins.

#### Temperature

- Multi-engine cooling systems.
- Air conditioned chilled water systems.

#### Engine load

Empty or fill reservoirs with a lower horsepower engine—fast when head is high—slow when head is low.

### Specifications

**Voltage:** 12 VDC or 24 VDC negative ground (specify).

**Current:** 500 mA (1/2 amp).

**Torque:** 25 inch pounds.

**Sealed limit switches:** Factory adjusted, controls maximum travel.

**Linkage adjustment on lever arm—5 holes:**

Adjusts travel: 1-3/16 in. (30 mm); 1-11/16 in. (43 mm); 2 in. (51 mm); 2-1/4 in. (57 mm) approximately.

**Dimensions:** See reverse side.

**Net Weight:** 5 lb. (2.27 kg)

### Features

The AT67207 can enhance features of our SELECTRONIC® Micro-Controller units by allowing features such as:

- Warm-up RPM Set point.
- Minimum RPM Set point.
- Maximum RPM Set point.
- Preset Operating RPM Set point.
- Auto Throttling To Match Flows (as needed in flood control applications).
- Maintaining System Pressure (as needed in booster station application).
- Adjustable Rate Of Change In RPM (allowing fine tuning of overall system).

For more information, recommendations and quotations contact our engineering dept.

### Warranty

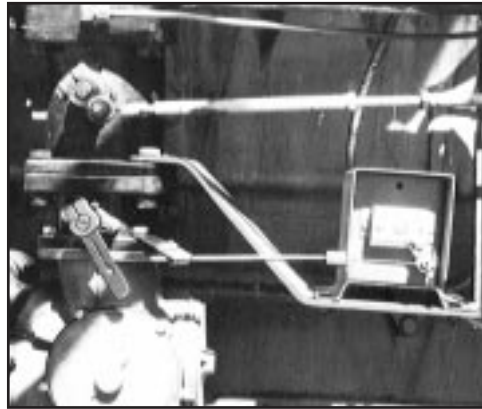
A two-year limited warranty on materials and workmanship is given with this Murphy product. Details are available on request and are packed with each unit.

## Operation

A Murphy SWICHGAGE®\* constantly monitors pressure, level, temperature or load. Adjustable high and low contacts on SWICHGAGE® are set slightly above and below desired operating point. When demand changes, pointer touches appropriate high or low contact and signals speed change.

AT67207 controller responds only so long as contact is made. The controller stops immediately when contacts separate. Slow, smooth action prevents "hunting" or "surging" on normal applications.

\*Mercury tube or snap-action switches are not suitable for this type control. For more information, recommendations and quotations contact our engineering dept.

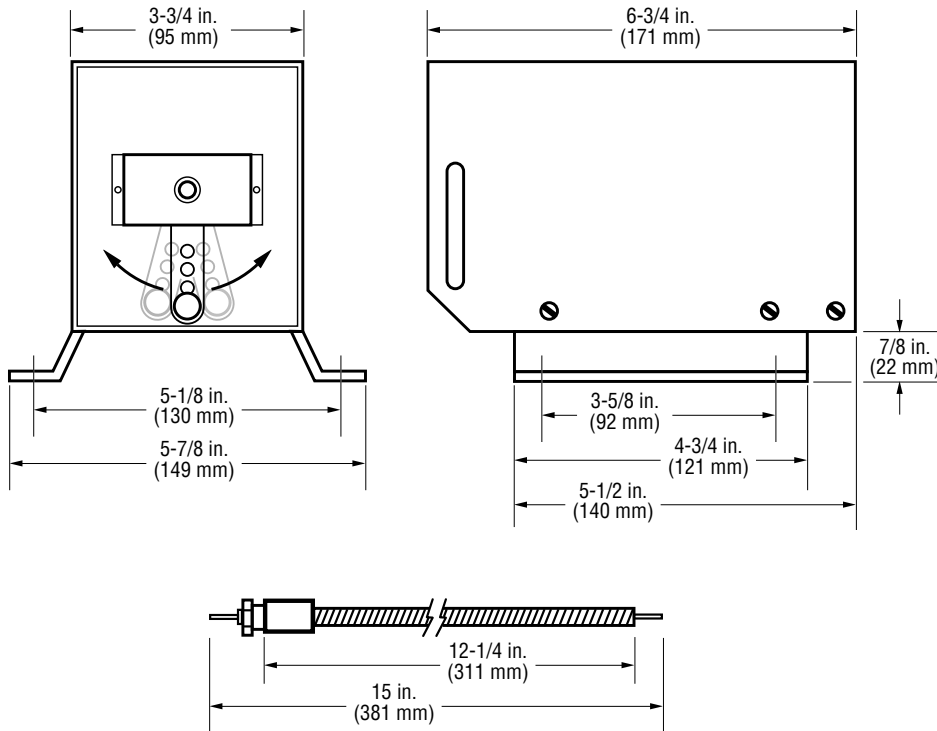


## How to Order

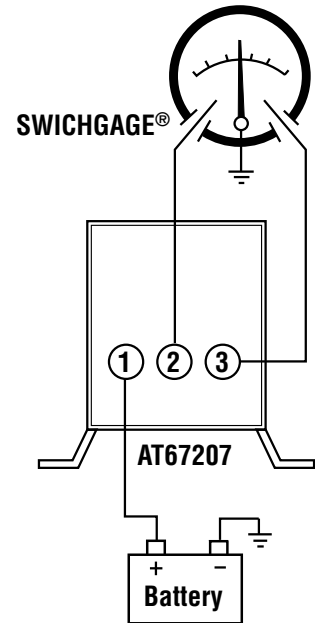
AT67207 -

**Voltage**  
12 = 12 VDC  
24 = 24 VDC

## Dimensions



## Typical Wiring



*In order to consistently bring you the highest quality, full featured products, we reserve the right to change our specifications and designs at any time.*

**FRANK W. MURPHY MANUFACTURER** P.O. Box 470248; Tulsa, Oklahoma 74147; USA



■ **FRANK W. MURPHY SOUTHERN DIVISION**  
P.O. Box 1819; Rosenberg, Texas 77471; USA  
tel. (281) 342-0297 fax (281) 341-6006  
e-mail sales@fwmurphy.com

■ **FRANK W. MURPHY, LTD.**  
Church Rd.; Laverstock, Salisbury SP1 1QZ; U.K.  
tel. +44 1722 410055 fax +44 1722 410088  
e-mail sales@fwmurphy.co.uk  
http://www.fwmurphy.co.uk

■ **FRANK W. MURPHY FRANCE**  
tel. +33 1 30 762626 fax +33 1 30 763989

tel. (918) 627-3550 fax (918) 664-6146 e-mail sales@fwmurphy.com http://www.fwmurphy.com

■ **MURPHY DE MEXICO, S.A. DE C.V.**  
Blvd. Antonio Rocha Cordero 300, Fracción del Aguaie  
San Luis Potosí, S.L.P.; México 78384  
tel. +52-48-206264 fax +52-48-206336  
e-mail murmexsl@sanluis.podernet.com.mx

■ **FRANK W. MURPHY PTE., LTD.**  
No. 2 Tuas South Street 2,  
Sprintecs Bldg., #02-01/02  
Singapore 638042  
tel. +65 863-1398 fax +65 863-0208  
e-mail fwmsales@fwmurphy.com.sg

■ **MURPHY SWITCH OF CALIFORNIA**  
P.O. Box 900788; Palmdale, California 93590; USA  
tel. (805) 272-4700 fax (805) 947-7570  
e-mail sales@murphyswitch.com  
http://www.murphyswitch.com

■ **MACQUARRIE CORPORATION**  
1620 Hume Highway;  
Campbellfield, Vic 3061; Australia  
tel. +61 3 9358-5555 fax +61 3 9358-5558  
e-mail murphy@macquarrie.com.au



USA-ISO 9001 FM 28221  
UK-ISO 9002 FM 29422