

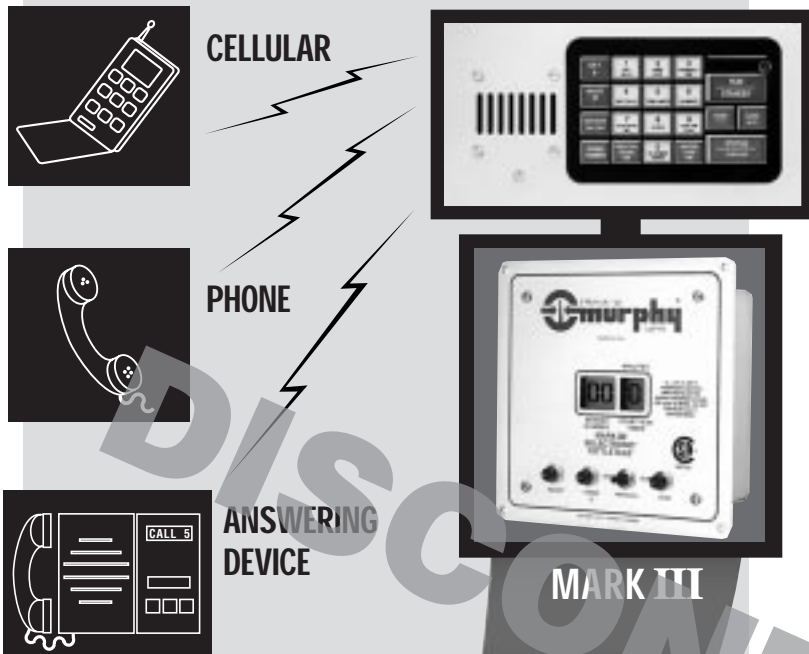
Does Run Time Matter To You?

Not to worry!

THE MURPHY AUTO-DIALER

Calls You Immediately When Alarms and Shutdowns Occur

This new communications feature is simply the CB-32 Call Out Box interfaced with the MARK III Digital Fault Annunciator through a BCD communications port. In the event of an alarm or shutdown condition, the CB-32 calls multiple telephone numbers providing pre-recorded digitized speech messages. The multiple number dial-out feature is ideal when a busy signal is received. Murphy Auto-Dialer also gives you the ability to call and check by a touch-tone telephone and listen to site conditions.



Typical
Murphy Panel
with Auto-Dialer



ISO 9001 Registered



Call or Fax Today for Your Murphy AUTO-DIALER

Home Office: P.O. Box 470248; Tulsa, Oklahoma 74147 USA; Tel. (918) 627-3550 Fax (918) 664-6146

Southern Division: P.O. Box 1819; Rosenberg, Texas 77471 USA; Tel. (281) 342-0297 Fax (281) 341-6006

Automation Division: Tel. (918) 266-1313 Fax (918) 266-1837

Special Features

-  Gives Alarm or Shutdown of Up to 32 Sensors
-  Alarm Acknowledgement From Dial Out
-  Calls Up to 8 Phone Numbers
-  Dial Out Delay Time Programmable—Up to 1 Hour
-  Repeats Alarm Call—10 Times Maximum
-  Programmable Waiting Between Alarm Calls
-  Provides 255 Alarm Calls per Each Input
-  Programmable Alarm Recognition Time
-  Onboard Clock Tells Time of Alarm
-  Retains Memory After Power Is Off
-  Keypad Lock—Password Controlled
-  Unique ID Number Identification
-  TAD (Telephone Answering Device)

Auto-Dialer Specifications

CB-32 Call Box

Power Consumption: 12 V @ 235 mA ±10%.

Call Box Operating Temperature: -20 to 150°F (-29 to 66°C).

Call Progress: Knows when alarm call has been answered or busy.

Monitoring Capabilities: 32 Sensors, manual override, power and sound.

Dialout Phone Numbers: 8 numbers, 32 digits.

Call Delay: Waiting period for unit to report alarm (0-3600 sec.).

Voice Repetitions: Number of times alarm is announced (0-10).

Intercall Time: Waiting period between phone calls (10-3600 sec.).

Maximum Number of Calls: Number of calls per alarm (0-255).

Alarm Recognition Time: Sound and Power only.

Alarm Disable: Disables alarm from dial out (Sound and Power only).

Onboard Clock: Yes.

Listen Time Sound: Call in time to listen for sound (0-255 sec.).

Non-Volatile Memory: Holds program data while power is off.

Rings Until Answered: Rings until phone picks up (0-15).

Keypad Lock: Password control.

ID Number: Unique identification.

TAD: Telephone answering Device.

Tone/Pulse and Mute: (no local annunciation): Yes

CBR-24/12 Call Box Regulator (see Optional Equipment)

MARK III Series Digital Fault-Annunciator

Power Consumption: 700 µa, 100 VDC.

Power Inputs (Operating Voltages):

MARK III-N: 90-250 V, CD ignition, negative ground.

MARK III-12/24: 12-24 VDC @ 4.7 watts max. including 2 external-ly operated relays.

Sensor Inputs: 32 sensor switches, N.O. or N.C., passive switches.

Inputs 1-30: Designated as Class "A" sensors.

Inputs 1-9: Can be selected as Class "B" sensor lockouts.

Input 9: 20 sec. Delayed unless selected as Class "B" lockout.

Input 31: Overrides test timer, (typically for Remote stop input).

Input 32: Overrides test timer dedicated for overspeed sensing.

Outputs (all models): Field Effect Transistor; 0.5 amp @ 250 V max.

Note: MARK III-12/24 outputs switch "ON" for normal operation; operation can be reversed in field.

Sensor Terminal Block: Four Plug-in terminals with screw type connections and factory installed jumper for each terminal.

MARK III Operating Temperature: -40 to 185°F (-40 to 85°C).

Storage Temperature: -40 to 302°F (-40 to 150°C).

Case: Anodized aluminum.

Multiplexer Scan Rate: 0.75 seconds.

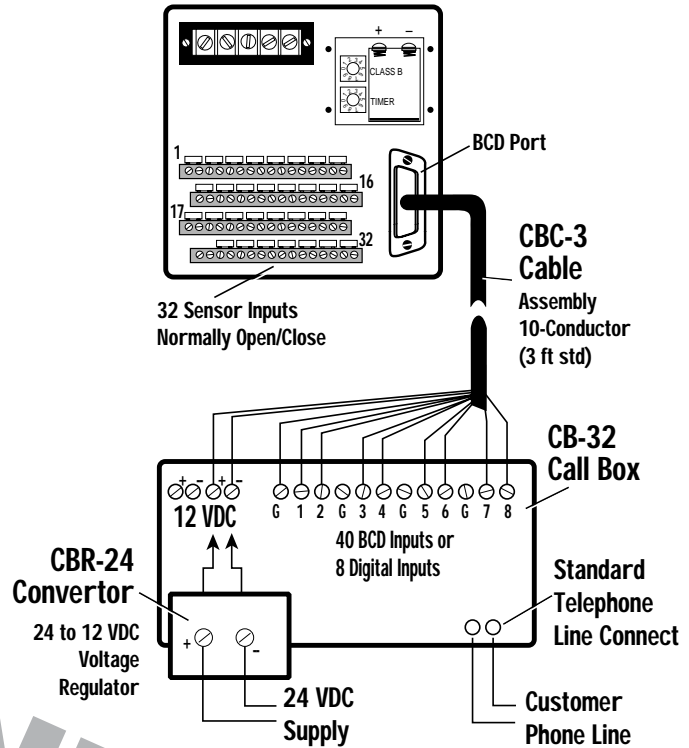
Start-Run/Test Time: Selectable, 1-9 minutes (1 min. increments).

Backup Power (All models): On-board 6 VDC @ 1300 mAh.

Battery: Duracell® DL223A Lithium.

Communications System Schematic

MARK III-N or Mark III-12/24 with BCD Communications Port



The AUTO-DIALER feature can be specified within your complete control panel. (Intended for mounting in a weatherproof panel.)

The Auto-Dialer consists of the following components:

CB-32†: Call Out Box for 12 VDC power supplies.

MARK III-12/24*: 32-sensor Digital Annunciator for 12/24 VDC systems.

CBC-3*: 10-conductor cable assembly, 3 feet [1 m] long (specify other lengths in 1 foot increments [30 cm]).

Optional Equipment:

CBR-24*: 24 to 12 VDC voltage regulator. Power Output: 300 W. Efficiency: 83%.

MARK III-N*: 32-sensor Digital Fault-Annunciator for Negative ground Ignition systems 90-250 VDC.

Limited Warranty

* A two Year limited warranty on materials and workmanship is provided with these Murphy products. Details are available on request and are packed with each unit.

† A One year limited warranty is provided with this product.

Details are available on request and are packed with each unit.