

UVR and OVR series

UNDER AND OVER VOLTAGE RELAYS SINGLE AND THREE PHASE AC

A range of relay based units designed to monitor the line to neutral voltage of an AC power supply and trip at user-set limits. UVR/OVR100 series units are designed for use with single phase AC supplies; the UVR/OVR500 range allows operation with three phase and neutral supplies.

Each trip contains a two pole change-over relay, configured to be energised during normal voltage conditions. Two front facia potentiometers, 'set volts' and 'differential volts' allow adjustment of the trip and reset voltage levels. A front facia LED lights when the relay is energised and the voltage is within normal limits.

Under voltage relays (UVRs) de-energise if the any of input voltages falls below the 'set volts' level. The relay does not energise until all voltages are restored to the set volts plus the differential voltage.

Over voltage relays (OVRs) de-energise if any of the input voltages rises above the 'set volts' level. The relay does not energise until all the AC inputs return below the set voltage minus the differential voltage. On over voltage units, the relay also de-energises on total loss of supply voltage.

All units use a robust polycarbonate case, designed for DIN rail or surface mounting. Electrical connection of the AC input and relay contacts is via screw-tightened terminals, suitable for use with stripped wires or narrow blade crimp connectors.

Units for use with non-standard voltages are also available: please contact our Sales department for full details.

See also:-

CVR series Combined UVR and OVR in a single case

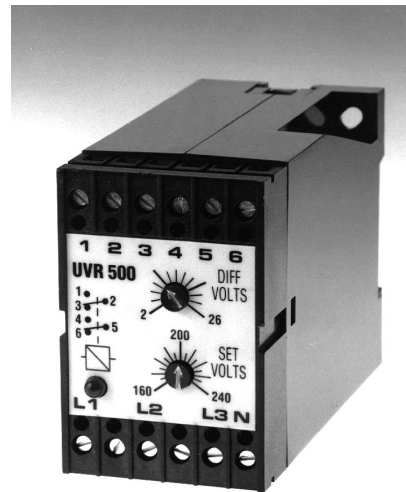
PFR series 3 phase, 3 wire (no neutral) phase failure relays

UFR series Single phase frequency relays

OLR series 3 phase overload/overcurrent relay

When ordering, please specify:-

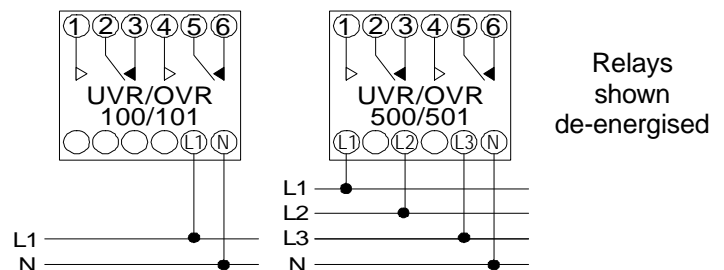
Stock number	Model	Description
76.70.0024	UVR100	UVR, 1 phase, 160 – 240 VAC
76.70.0061	OVR100	OVR, 1 phase, 200 – 280 VAC
76.70.0009	UVR101	UVR, 1 phase, 90 – 130 VAC
76.70.0062	OVR101	OVR, 1 phase, 110 – 150 VAC
76.70.0031	UVR500	UVR, 3 phase, 160 – 240 VAC ph-N
76.70.0055	OVR500	OVR, 3 phase, 200 – 280 VAC ph-N
76.70.0010	UVR501	UVR, 3 phase, 90 – 130 VAC ph-N
76.70.0047	OVR501	OVR, 3 phase, 110 – 150 VAC ph-N



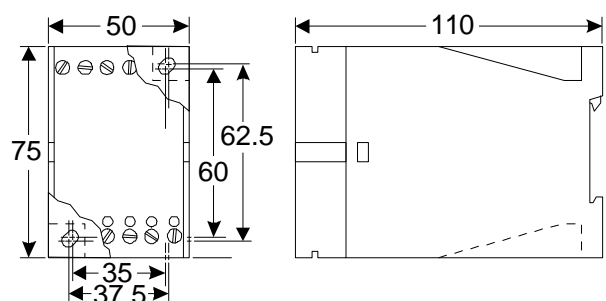
Product Specifications

	UVR100 UVR500	UVR101 UVR501	OVR100 OVR500	OVR101 OVR501
Input/Power supply:				
trip range (V AC)	160 – 240	90 – 130	200 – 280	110 – 150
differential (V AC)	2 – 26	1 – 13	2 – 26	1 – 13
max. input (V AC)	280	150	280	150
power consumption	< 5 VA			
operating freq.	40 – 500 Hz.			
Relay output:	<i>All ratings for resistive load</i>			
contact type	dual pole change-over, volt free			
current rating	5 A max. @ 250 V AC			
rated operations	1 x 10 ⁵ operations			
trip time	approx. 500 mS			
General:				
operating temp.	-10 to +55°C			
weight	approx. 360 g			

Connection



Dimensions



Frank W. Murphy Manufacturer
PO Box 470248, Tulsa, Oklahoma 74147, USA
Tel: + 1 918 627 3550 Fax: + 1 918 664 6146
email: sales@fwmurphy.com
web: http://www.fwmurphy.com

Frank W. Murphy Ltd.
Church Road, Laversham, Salisbury W. UK
Tel: + 44 1722 410085 Fax: + 44 1722 410088
Pour service en Français, tél: + 44 1722 410697
email: sales@fwmurphy.co.uk
web: http://www.fwmurphy.co.uk

Frank W. Murphy Ltd. en France
Tel: + 33 (1) 30 76 26 26 Fax: + 33 (1) 30 76 39 89
Direct usine Tel: + 44 1722 410697
email: sales@fwmurphy.co.uk
web: http://www.fwmurphy.co.uk/francais.htm

Frank W. Murphy Pte. Ltd.
No. 2 Tuas South Street 2, Sprinatics Building
#02-01/02, Singapore 637895
Tel: +65 863 1398 Fax: +65 863 0208
email: fwmurphy@fwmurphy.com.sg

Frank W. Murphy Southern Division
PO Box 1819, Rosenberg, Texas 77471, USA
Tel: + 1 281 342 0297 Fax: + 1 281 341 6006
email: sales@fwmurphy.com

Murphy Switch of California
41343 12th Street West, Palmdale, CA 93590, USA
Tel: + 1 661 272 4700 Fax: + 1 661 947 7570
email: sales@murphyswitch.com
web: http://www.murphyswitch.com

Macquarrie Corporation
1620 Hume Highway, Campbellfield, Vic. 3061 Australia
Tel: + 61 3 9358 5555 Fax: + 61 3 9358 5558
email: murphy@macquarrie.com.au

Murphy de Mexico S.A. de C.V.
Blvd. Antonio Rocha Cordero 300, Fracción del Aguaje
San Luis Potosí, S.L.P. Mexico 78384
Tel: + 52 48 206264 Fax: + 52 48 206336
email: murmexst@sanluis.podernet.com.mx